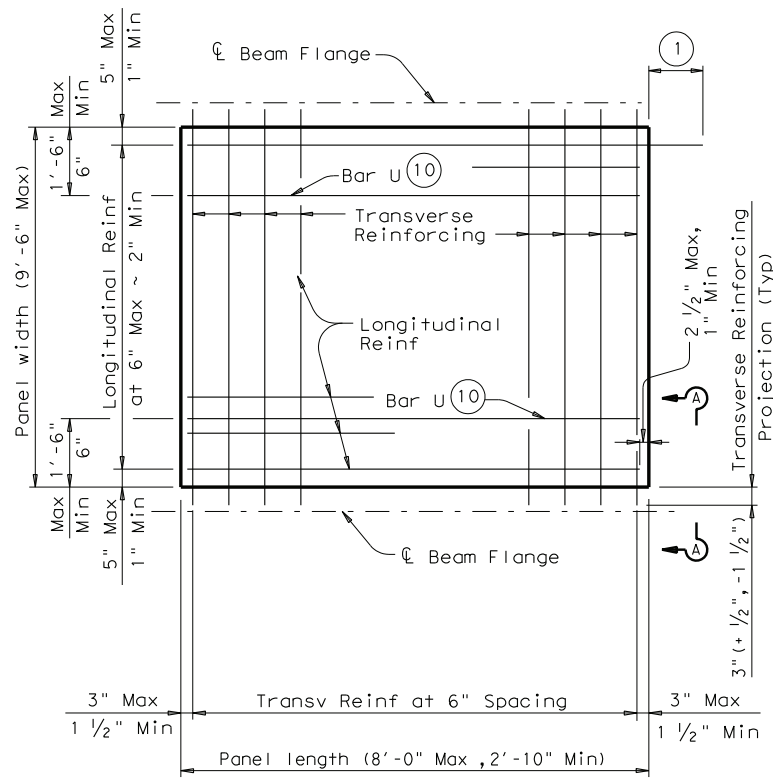
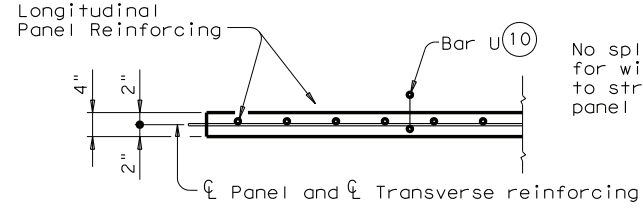


DISCLAIMER: The use of this standard is governed by the "Texas Engineering Practice Act". No warranty of any kind is made by TxDOT for any purpose whatsoever. TxDOT assumes no responsibility for the conversion of this standard to other formats or for incorrect results or damages resulting from its use.

PATH: _____
 LEVELS DISPLAYED: _____

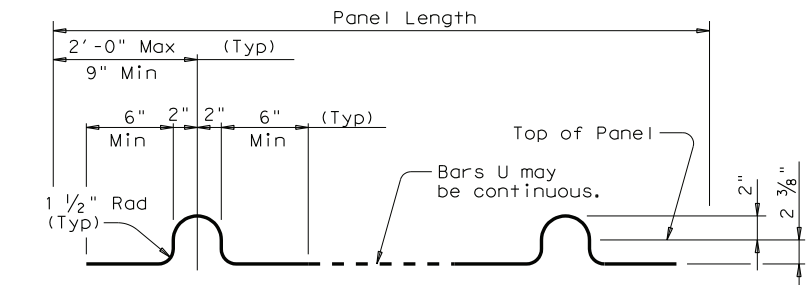


TYPICAL NON-SKEWED PANEL PLAN

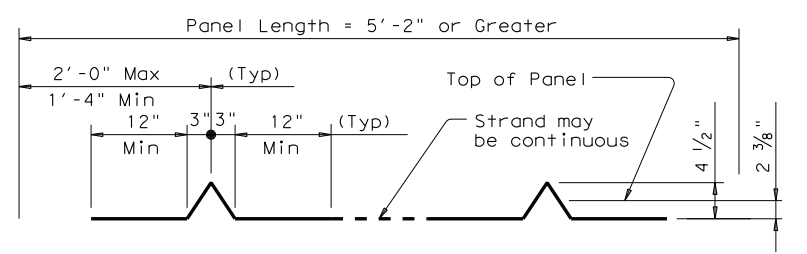


SECTION A-A

(Not Showing supplemental #4 bars for Skewed End Panels.)

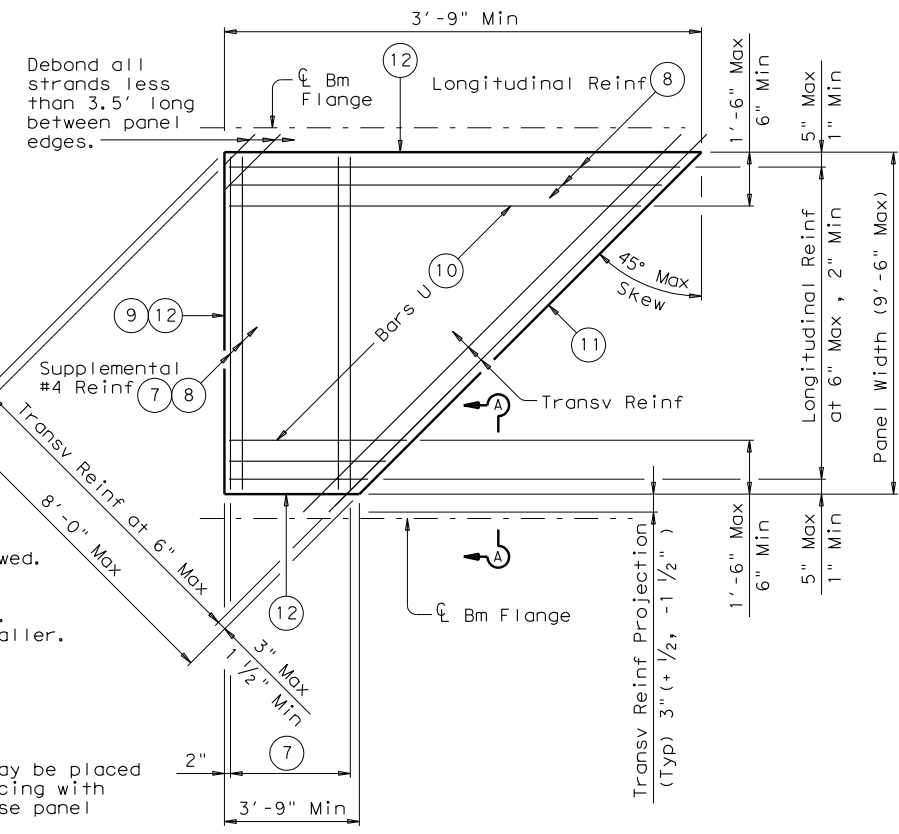


BARS U (#3) ②



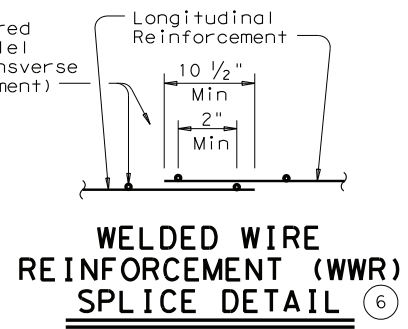
OPTIONAL STRAND FOR BARS U ③

- ① At connection with cast-in-place slab, extend longitudinal panel reinforcement 1'-0" (+2", -0") past panel end. Alternatively, provide (#3) x 2'-0" dowels at 6" Max Spacing and extend dowels 1'-0" past panel end.
- ② Four loops required per panel.
- ③ Four loops required per panel. 3/8" or 1/2" strands may be used.
- ④ Normal dimensions must be used on spans with parallel beams. Maximum and Minimum dimensions apply only to spans with flared beams.
- ⑤ See Normal Grading Detail on PCP standard for lap requirements and bedding strip dimensions. Some laps shown in tables cannot utilize all bedding strip widths.
- ⑥ One Splice allowed per panel. No more than two sheets of WWR are allowed.
- ⑦ Provide (#4) bars under transverse reinforcing, 10 Spaces at 4" = 3'-4". Omit for 5 degree (1:12) skew and smaller.
- ⑧ End Cover 2 1/2" Max, 1" Min.
- ⑨ Recess strands on indicated panel edge in accordance with Item 424.
- ⑩ At the fabricator's option, Bars U may be placed parallel to transverse panel reinforcing with horizontal legs in plane of transverse panel reinforcing.
- ⑪ Use length of indicated panel edge as panel width for purpose of determining type of transverse reinforcing.
- ⑫ Timber form work permissible this edge.

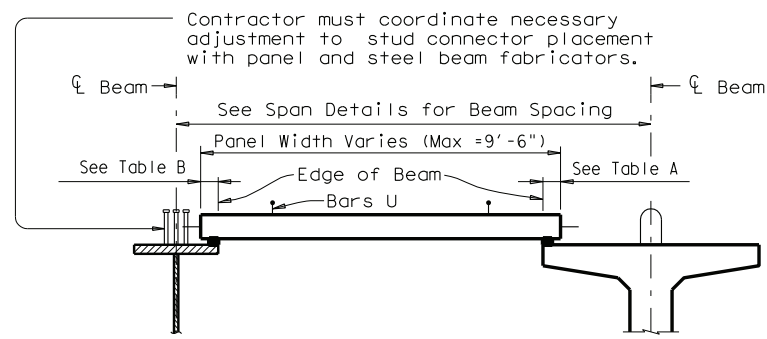


TYPICAL SKEWED END PANEL PLAN

(Only to be used with details shown elsewhere in the plans.)

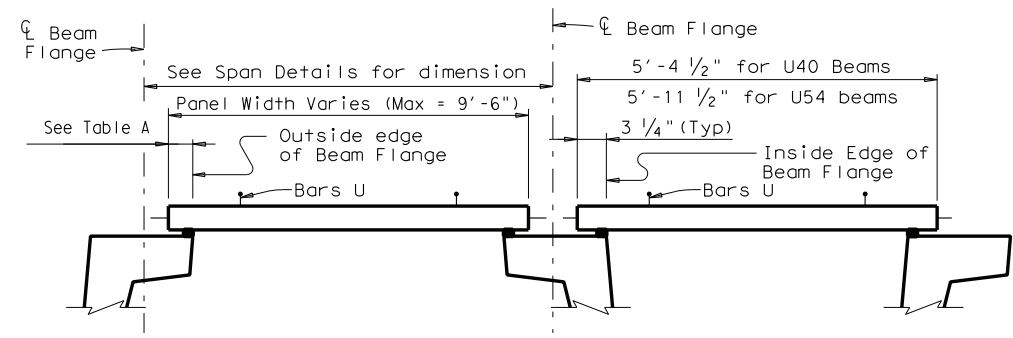


WELDED WIRE REINFORCEMENT (WWR) SPLICE DETAIL ⑥



STEEL BEAMS

PRESTRESSED CONCRETE BEAMS OR GIRDERS
Typ unless noted otherwise



PRESTRESSED CONCRETE U-BEAMS

TYPICAL SECTIONS FOR DETERMINING PANEL WIDTH

TABLE A ④⑤			
Beam Type	Normal (In.)	Min (In.)	Max (In.)
A	3	2 1/2	3 1/2
B	3	2 1/2	3 1/2
C	4	3	4 1/2
IV	6	4	7 1/2
VI	6 1/2	4 1/2	8 1/2
U40	5 1/2	5 1/2	7
U54	5 1/2	5 1/2	7
Tx28-70	6	4	7 1/2
XB20	4	3	4 1/2
XB28	4	3	4 1/2
XB34	4	3	4 1/2
XB40	4	3	4 1/2
XSB12	4	3	4 1/2
XSB15	4	3	4 1/2

TABLE B ④⑤			
Top Flange Width	Normal (In.)	Min (In.)	Max (In.)
11" to 12"	2 3/4	2 1/2	2 3/4
Over 12" to 15"	3 1/4	3	3 1/4
Over 15" to 18"	4	3	4 3/4
Over 18"	5	3 1/2	6 1/4

GENERAL NOTES:

All concrete for panels is to be Class H. Use Class H (HPC) concrete for panels if required elsewhere in plans. Release strength f'_{ci} = 4000 psi. Minimum 28 day strength f'_c = 5000 psi.
 Remove laitance from top panel surface.
 Finish top of panel to a roughness between a No.6 and No.9 concrete surface profile, inclusive, as specified by the International Concrete Repair Institute (ICRI).
 Shop drawings for the fabrication of panels will not require the Engineer's approval if fabrication is in accordance with the details shown on this standard.
 A panel layout which identifies location of each panel must be developed by the fabricator. Permanently mark each panel in accordance with the panel layout. A copy of the layout is to be provided to the Engineer.

TRANSVERSE PANEL REINFORCEMENT:

For panel widths over 5', use 3/8" or 1/2" Dia (270k) prestressing strands with a tension of 16.1 kips per strand.
 For panel widths over 3'-6" up to and including 5', use 3/8" or 1/2" Dia (270k) prestressing strands with a tension of 16.1 kip per strand. Optionally, #4 Grade 60 reinforcing bars may be used in lieu of prestressed strands.
 For panel widths up to 3'-6", use #4 Grade 60 reinforcing bars (prestressed strands are not allowed).
 Place transverse panel reinforcement at panel centroid and space at 6" Max.

LONGITUDINAL PANEL REINFORCEMENT:

Any of the following options may be used for longitudinal panel reinforcement:
 1. (#3) Grade 60 reinforcing steel at 6" Max Spacing. No splices allowed.
 2. 3/8" Dia prestressing strands at 4 1/2" Max Spacing (unstressed). No splices allowed.
 3. 1/2" Dia prestressing strands at 6" Max Spacing (unstressed). No splices allowed.
 4. Deformed Welded Wire Reinforcement (WWR) (ASTM A497) providing 0.22 sq in per foot of panel width. Wires larger than D11 not permitted. Provide transverse wires to ensure proper handling of reinforcing. One splice per panel is allowed. See WWR Splice Detail.
 No combination of longitudinal reinforcement options in a panel is allowed.
 Place longitudinal panel reinforcement above or below transverse panel reinforcement. Must be placed above transverse panel reinforcement for skewed end panels with supplemental #4 reinforcement.

HL93 LOADING



PRESTRESSED CONCRETE PANEL FABRICATION DETAILS

PCP-FAB

FILE: pcpstde2.dgn	DN: TxDOT	CK: TxDOT	DW: JTR	CK: JMH
© TxDOT October 2010	DISTRICT	FEDERAL AID PROJECT	SHEET	
REVISIONS				
COUNTY	CONTROL	SECT	JOB	HIGHWAY